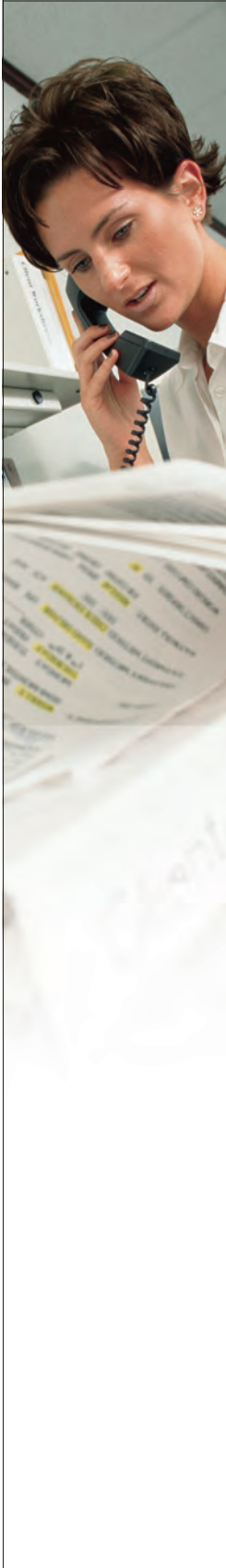




Climate Control



QUINCY CLIMATE CONTROL
COMPRESSED AIR SYSTEMS



QUINCY CLIMATE CONTROL

COMPLETE COMPRESSED AIR SYSTEMS

- Total Air Systems
- Industry Specific
- Quincy Reliable
- Rapid Response

TOTAL AIR SYSTEMS

Your total air system demands are unique, but with a Quincy Climate Control Compressed Air System the results are the same – efficient and effective climate control.

Climate control means more than just an air compressor. That's why our systems can include mounted and wired electronic duplex control panels, mounted and piped refrigerated air dryers, filters, and PRV stations. Every component integrates seamlessly to meet the stringent conditions of your environment.

Quincy Climate Control Systems are easy to quote, order, install, and service.

INDUSTRY SPECIFIC

Quincy Climate Control Systems have been engineered specifically for climate control. Our innovative beveled gap rings ensure a fast break-in and have established Quincy as the climate control leader – with a certified maximum oil carry-over of 2 ppm or less.

QUINCY RELIABLE

Every Quincy Climate Control System is built Quincy reliable. The kind of reliability that means you can rest easy knowing your customers have the best climate control system available.

You'll find that Quincy Climate Control Systems are competitively priced and superior in value.

RAPID RESPONSE

Quincy understands that delivery is a critical factor in ordering a climate control system. That's why we have the manufacturing expertise and flexibility to ship your standard Quincy Climate Control System in ten days or less.

If you have climate control questions, the Quincy Air Line, 217.222.7700, is your resource for questions about sizing, pricing, order status, aftermarket service, shipping, warranty claims and replacement parts. Our climate control specialists in the reciprocating division are standing by to help you.



- Cast-Iron cylinders, crankcase, crankshaft and flywheel
- Stainless steel reed valves
- Beveled gap piston rings
- Oil carryover 2 ppm or less

All models include Quin-Cip oil fill, enclosed belt guards and pressure switch(es) as standard.

SIMPLEX SPLASH LUBRICATED BASE-MOUNT

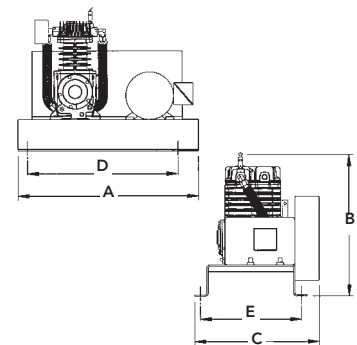
Pressure switch setting: 70-90

Model No.	HP	RPM	CFM FAD† @80 PSIG	CIM FAD† @ 80 PSIG	Dimensions (Inches)					Unit shipping weight (lbs)
					A	B	C	D	E	
QC005BBS*	0.50	357	4.40	7603	27.00	16.44	15.25	18.25	12.28	160
QC007BBS*	0.75	357	4.40	7603	27.00	16.44	15.25	18.25	12.28	160
QC010BBS*	1.00	450	5.00	8640	27.00	16.44	15.25	18.25	12.28	160
QC015BBS	1.50	596	6.50	11232	27.00	16.44	15.25	18.25	12.28	160
QC020BBS	2.00	420	8.60	14861	34.00	19.08	21.75	26.25	18.88	309
QC030BBS	3.00	630	13.00	22464	34.00	19.08	21.75	26.25	18.88	314
QC050BBS	5.00	692	18.20	31449	34.00	27.05	23.25	28.38	18.88	360
QC075BBS	7.50	775	31.00	53568	35.50	29.63	24.25	28.38	18.88	568
QC100BBS	10.00	731	41.20	71194	54.06	30.19	28.25	36.89	22.00	675
QC151BBS	15.00	950	56.00	96768	54.06	30.19	28.25	36.89	22.00	750

Notice: Drawings and photos are general representations. Actual configurations and color schemes may vary.
 A, B and C are overall dimensions, excluding options.
 † CFM values based on pump-up time tests.
 * Special heavy-duty motor – size wiring and starters by motor amp.

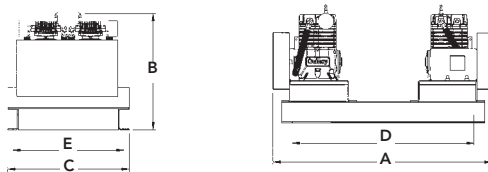


Simplex base-mount w/ optional starter



DUPLEX SPLASH LUBRICATED BASE-MOUNT

Pressure switch setting: Lead 70-90, Lag 60-80



Duplex base-mount with optional Duplex Control Panel

Model No.	HP	RPM	CFM FAD† @80 PSIG	CIM FAD† @ 80 PSIG	Dimensions (Inches)					Unit shipping weight (lbs)
					A	B	C	D	E	
QC005BBD*	0.50	357	4.40	7603	45.44	20.25	28.03	37.50	24.25	300
QC010BBD*	1.00	450	5.00	8640	45.44	20.25	28.03	37.50	24.25	300
QC015BBD	1.50	596	6.50	11232	45.44	20.25	28.03	37.50	24.25	300
QC020BBD	2.00	420	8.60	14861	57.00	25.08	34.00	51.00	31.00	618
QC030BBD	3.00	630	13.00	22464	57.00	25.08	34.00	51.00	31.00	625
QC050BBD	5.00	692	18.20	31449	61.66	33.09	34.00	51.00	31.00	780
QC075BBD	7.50	775	31.00	53568	63.66	35.63	40.50	51.00	31.00	1470
QC100BBD	10.00	731	41.20	71194	71.88	35.25	61.12	53.00	46.91	1850
QC151BBD	15.00	950	56.00	96768	71.88	35.25	61.12	53.00	46.91	2000

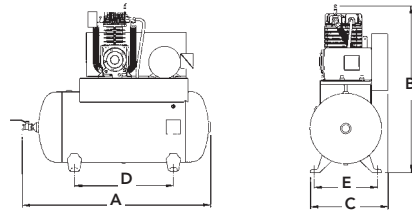
Notice: Drawings and photos are general representations. Actual configurations and color schemes may vary.
 A, B and C are overall dimensions, excluding options.
 † CFM values based on pump-up time tests.
 * Special heavy-duty motor – size wiring and starters by motor amp.

QUINCY CLIMATE CONTROL

SIMPLEX SPLASH LUBRICATED TANK-MOUNT

Pressure switch setting: 70-90

Tank models have ASME coded and National Board approved receivers. California Code 462-L2 approval available on request. Includes ASME pressure relief valve, pressure gauge, manual shut-off at tank discharge, and manual tank drain. All models include Quin-Cip oil fill, enclosed belt guards and pressure switch(es) as standard.



Simplex tank-mount with optional dryer and starter

Model No.	HP	RPM	Tank size (gal)	CFM FAD† @80 PSIG	CIM FAD† @ 80 PSIG	A	Dimensions (Inches)				Unit shipping weight (lbs)
						B	C	D	E		
QC00503S*	0.50	357	30	4.40	7603	41.91	33.25	16.00	22.00	13.75	225
QC00506S*	0.50	357	60	4.40	7603	52.50	38.25	19.59	28.00	17.75	355
QC00703S*	0.75	357	30	4.40	7603	41.91	33.25	16.00	22.00	13.75	225
QC01003S*	1.00	450	30	5.00	8640	41.91	33.25	16.00	22.00	13.75	225
QC01006S*	1.00	450	60	5.00	8640	52.50	38.25	19.59	28.00	17.75	355
QC01503S	1.50	596	30	6.50	11232	41.91	33.25	16.00	22.00	13.75	225
QC01506S	1.50	596	60	6.50	11232	52.50	38.25	19.59	28.00	17.75	355
QC02006S	2.00	420	60	8.60	14861	52.50	39.50	20.25	28.00	17.75	439
QC02008S	2.00	420	80	8.60	14861	67.58	38.02	20.00	40.00	17.75	575
QC03006S	3.00	630	60	13.00	22464	52.50	39.50	20.25	28.00	17.75	510
QC03008S	3.00	630	80	13.00	22464	67.58	38.02	20.00	40.00	17.75	580
QC05008S	5.00	692	80	18.20	31449	67.58	46.03	21.50	40.00	17.75	585
QC05012S	5.00	692	120	18.20	31449	72.07	52.15	24.75	40.00	22.00	700
QC07508S	7.50	775	80	31.00	53568	67.58	48.57	22.50	40.00	17.75	870
QC07512S	7.50	775	120	31.00	53568	72.07	54.68	25.75	40.00	22.00	975
QC10008S	10.00	731	80	41.20	71194	67.58	49.00	26.44	40.00	17.75	885
QC10012S	10.00	731	120	41.20	71194	73.07	54.94	28.00	40.00	22.00	925
QC15120S	15.00	950	200	56.00	96768	77.00	61.12	31.44	39.00	28.00	1240

Notice: Drawings and photos are general representations. Actual configurations and color schemes may vary.

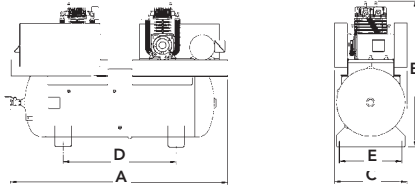
A, B and C are overall dimensions, excluding options.

† CFM values based on pump-up time tests.

* Special heavy-duty motor – size wiring and starters by motor amp. name plate.

DUPLEX SPLASH LUBRICATED TANK-MOUNT

Pressure switch setting: Lead 70-90, Lag 60-80



Duplex tank-mount with optional dryer and Duplex Control Panel

Model No.	HP	RPM	Tank size (gal)	CFM FAD† @80 PSIG	CIM FAD† @ 80 PSIG	Dimensions (Inches)					Unit shipping weight (lbs)
						A	B	C	D	E	
QC00503D*	0.50	357	30	4.40	7603	41.91	34.25	28.50	22.00	13.75	430
QC00506D*	0.50	357	60	4.40	7603	51.91	39.75	28.50	28.00	17.75	525
QC00706D*	0.75	357	60	4.40	7603	51.91	39.75	28.50	28.00	17.75	525
QC01006D*	1.00	450	60	5.00	8640	51.91	39.75	28.50	28.00	17.75	525
QC01008D*	1.00	450	80	5.00	8640	67.50	38.94	20.00	40.00	17.75	580
QC01506D	1.50	596	60	6.50	11232	51.91	39.75	28.50	28.00	17.75	525
QC01508D	1.50	596	80	6.50	11232	67.50	38.94	20.00	40.00	17.75	580
QC02008D	2.00	420	80	8.60	14861	69.50	40.62	29.30	40.00	17.75	739
QC02012D	2.00	420	120	8.60	14861	76.75	45.43	27.65	40.00	22.00	963
QC03008D	3.00	630	80	13.00	22464	69.50	40.62	29.30	40.00	17.75	749
QC03012D	3.00	630	120	13.00	22464	76.75	45.43	27.65	40.00	22.00	973
QC05012D	5.00	692	120	18.20	31449	76.75	52.15	25.50	40.00	22.00	1100
QC05020D	5.00	692	200	18.20	31449	77.00	59.48	30.00	39.00	28.00	1400
QC07520D	7.50	775	200	31.00	53568	77.00	62.00	30.00	39.00	28.00	1860
QC07520DP‡	7.50	775	200	31.00	53568	77.00	63.50	~36.50	42.81	31.25	1925
QC07524DP‡	7.50	775	240	31.00	53568	89.12	63.50	~36.50	42.81	31.25	2000
QC10020D	10.00	731	200	41.20	71194	105.48	64.19	30.00	38.00	28.00	1970
QC10024D	10.00	731	240	41.20	71194	105.48	64.19	30.00	38.00	28.00	2050
QC10024DP‡	10.00	731	240	41.20	71194	89.11	64.00	54.00	42.81	31.25	1660
QC15120D	15.00	950	200	56.00	96768	105.48	64.19	30.00	38.00	28.00	2120
QC15124D	15.00	950	240	56.00	96768	105.48	64.19	30.00	38.00	28.00	2200
QC15124DP‡	15.00	950	240	56.00	96768	89.11	64.00	54.00	42.81	31.25	1810

Drawings and photos are general representations. Actual configurations and color schemes may vary. A, B and C are overall dimensions, excluding options.

* Special heavy-duty motor – size wiring and starters by motor amp. name plate.

† CFM values based on pump-up time tests.

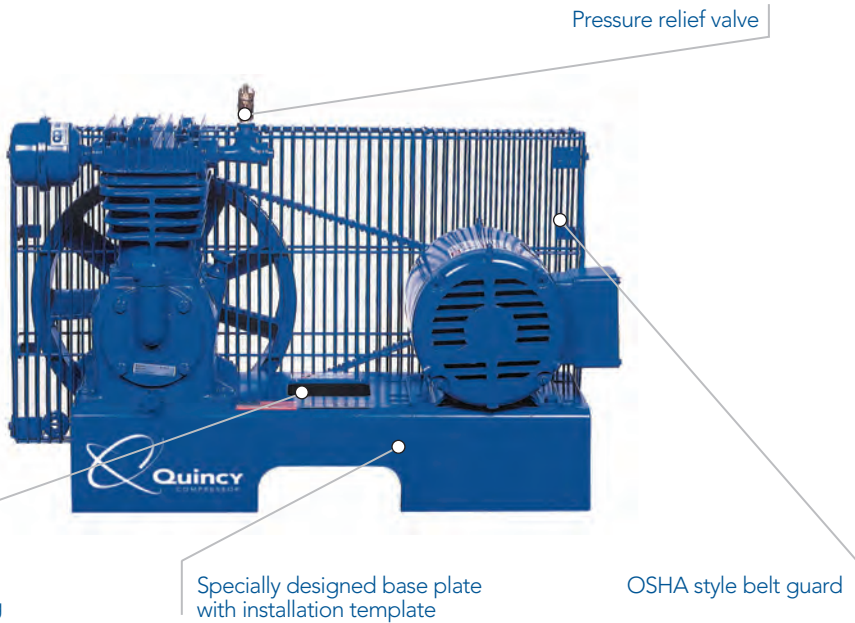
‡ Pedestal tank unit optional

~ 35.50 with air filters and belt guards removed.

QUINCY CLIMATE CONTROL

QUINCY REPLACEMENT PACKAGE

- Cast-Iron cylinders, crankcase, crankshaft, and flywheel
- Stainless steel reed valves
- Inlet filter/silencer
- Oil carryover 2 ppm or less
- Easily mounts to most tank top plates (template included)



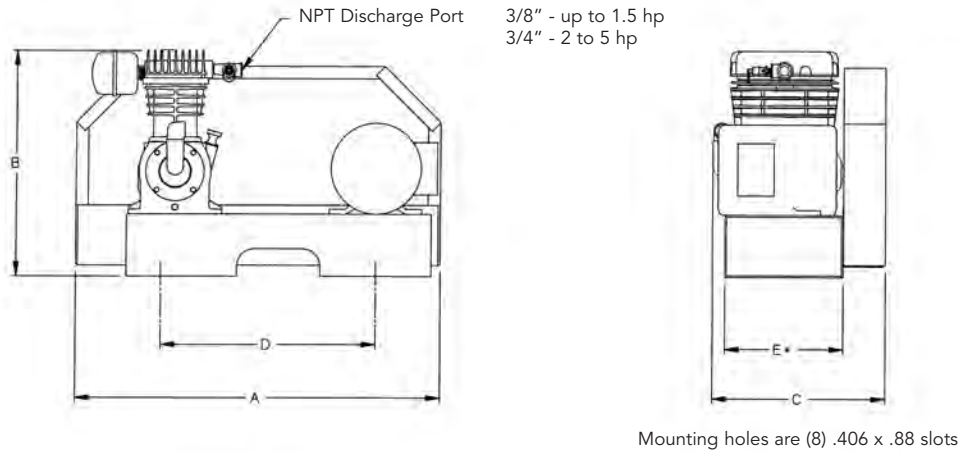
HIGH QUALITY CLIMATE CONTROL REPLACEMENT COMPRESSOR

When your climate control compressor goes down, your best solution is the Quincy climate control replacement package. Quincy's specially designed base-plate easily mounts to any compressor tank top plate, eliminating replacement parts inventory, emergency rush charges, and days of downtime.

Every Quincy climate control replacement package is manufactured using the same high quality

standards that have made Quincy Compressor an icon for the last 85 years. Standard features include a cast-iron compressor, special lap gap rings, and a certified oil carryover rating of 2 ppm or less.

Stop taking chances with your climate control system and stock the only replacement part you'll ever need – the Quincy climate control replacement package.



TECHNICAL SPECIFICATIONS

Model	HP	RPM	CFM* FAD 80 PSI	CIM* FAD 80 PSI	A	B	C	D	E*	Approximate Shipping Wt. (lbs.)
QC005BRS†	1/2	357	4.4	7603	26.31	16.19	12.50	15.50	8.50	110
QC007BRS†	3/4	357	4.4	7603	26.31	16.19	12.50	15.50	8.50	110
QC010BRS†	1	450	5.0	8640	26.31	16.19	12.50	15.50	8.50	110
QC015BRS	1-1/2	596	6.5	11232	26.31	16.19	12.50	15.50	8.50	110
QC020BRS	2	520	9.8	16934	29.00	24.61	19.50	16.11	14.00	325
QC030BRS	3	647	12.2	21081	29.00	24.61	19.50	16.11	14.00	330
QC050BRS	5	692	18.2	31449	29.00	25.08	19.50	16.11	14.00	336

Notice: Drawings and photos are general representations. Actual configurations and color schemes may vary.

* Template included

† Special heavy duty motors – size wiring and starter according to name plate amps

** Values based on pump-up test times

QUINCY SYSTEM CAPABILITIES

Engineered for your compressed air system, Quincy’s complete line of analysis services and compressed air products will optimize your system. Whether you’re installing a new compressed air system – or upgrading your existing system

– every Quincy component has been designed for maximum productivity. Backed by Quincy innovation and reliability – let Quincy Systems work for you.

QUINCY CLIMATE CONTROL

QR-25 PRESSURE LUBRICATED

- Cast-Iron Cylinders, Crankcase, Crankshaft, and Flywheel
- Heavy-Duty Disc-Type Valves
- Pressure Lubricated with Spin-On Oil Filter*
- Beveled Gap Ring
- 2 PPM oil carryover

Simplex Pressure Switch Setting

- 70 - 90

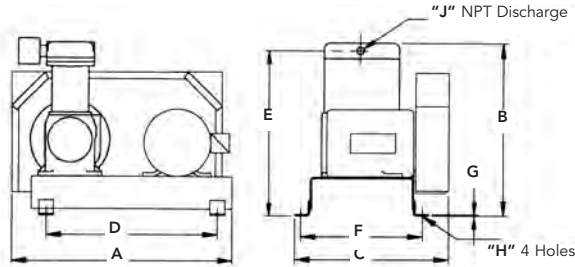
Duplex Pressure Switch Setting

- Lead 70 - 90, Lag 60 - 80

Tank models have ASME coded and National Board-approved receivers. California Code 462-L2 approval available on request. Includes ASME pressure relief valve, pressure gauge, manual shut-off at tank discharge, and manual tank drain.

All models include Quin-Cip oil fill, enclosed belt guards, pressure switch(es), loadless starting, and inlet filter/silencer as standard.

*2 horsepower and up



QUINCY QR-25 - SIMPLEX, BASE-MOUNTED UNITS

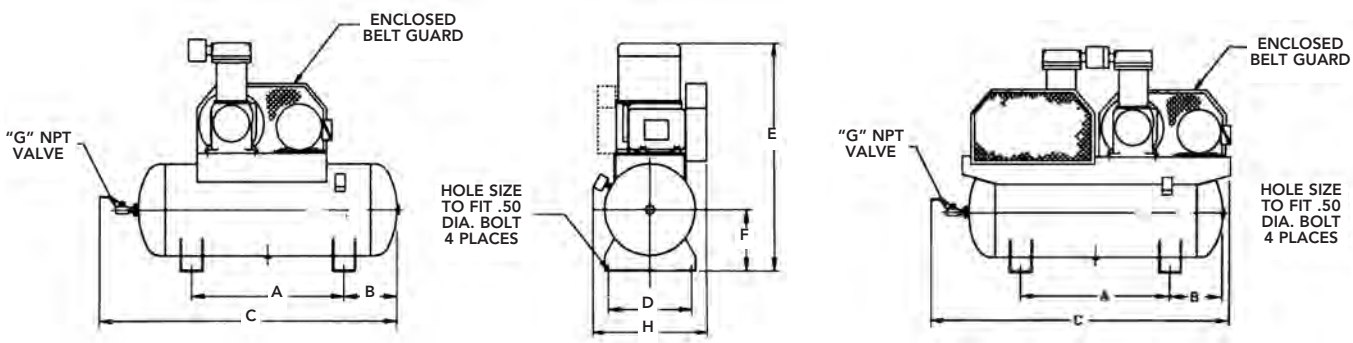
Model No.	HP	RPM	@80 PSIG	@80 PSIG	Dimensions (Inches)								Shipping Weight (lbs.)	
					A	B	C	D	E	F	G	H		J
QR010BBS	1	511	4.12	7119	27.00	19.50	15.25	18.25	16.23	12.28	.19	.69	.50	195
QR015BBS	1 1/2	730	5.60	9677	27.00	19.50	15.25	18.25	16.23	12.28	.19	.69	.50	195
QR020BBS	2	403	8.77	15155	36.82	30.31	25.66	28.38	24.00	18.88	.25	.69	.75	310
QR030BBS	3	626	13.82	23881	36.82	30.31	25.66	28.38	24.00	18.88	.25	.69	.75	435
QR050BBS	5	621	22.16	38292	39.96	35.72	28.31	26.25	29.44	18.88	.25	.69	1.00	865
QR075BBS	7 1/2	786	34.21	59115	40.53	36.38	29.72	26.25	29.94	18.88	.25	.69	1.00	900
QR100BBS	10	605	48.88	84465	47.91	40.88	35.19	36.91	33.65	22.00	.25	.69	1.50	1345
QR150BBS	15	711	71.69	123880	62.33	37.95	33.95	46.91	37.95	21.75	.38	.62	1.50	1738
QR200BBS	20	877	88.40	152755	62.33	37.95	33.95	46.91	37.95	21.75	.38	.62	1.50	1790

Notice: Drawings and photos are general representations. Actual configurations and color schemes may vary. Overall dimensions do not include optional equipment.

QUINCY QR-25 - SIMPLEX, TANK-MOUNTED UNITS

Model No.	HP	RPM	Tank Size (gal.)	CFM @80 PSIG	CIM @80 PSIG	Dimensions (Inches)							Approx. Shipping Weight (lbs.)	
						A	B	C	D	E	F	G		H
QR01003S	1	511	30	4.12	7119	22.00	8.00	41.90	13.75	36.28	10.12	.50	16.00	320
QR01503S	1 1/2	730	30	5.60	9677	22.00	8.00	41.90	13.75	36.28	10.12	.50	16.00	320
QR01506S	1 1/2	730	60	5.60	9677	28.00	10.00	52.58	17.75	41.64	12.56	.75	21.75	560
QR02006S	2	403	60	8.77	15155	28.00	10.00	52.58	17.75	50.75	12.56	.75	25.69	650
QR02008S	2	403	80	8.77	15155	40.00	11.50	67.58	17.75	49.75	12.56	.75	25.69	715
QR03006S	3	626	60	13.82	23881	28.00	10.00	52.58	17.75	50.75	12.56	.75	25.69	650
QR03008S	3	626	80	13.82	23881	40.00	11.50	67.58	17.75	49.75	12.56	.75	25.69	715
QR05008S	5	621	80	22.16	38292	40.00	11.50	67.58	17.75	55.25	12.56	.75	27.94	1070
QR05012S	5	621	120	22.16	38292	40.00	14.00	73.00	22.00	60.78	15.66	1.00	27.94	1230
QR07512S	7 1/2	786	120	34.21	59115	40.00	14.00	73.00	22.00	61.44	15.66	1.00	29.34	1290
QR10012S	10	605	120	48.88	84465	40.00	14.00	73.00	22.00	65.66	15.66	1.00	34.88	1820
QR10020S	10	605	200	48.88	84465	39.00	16.50	77.00	28.00	71.81	19.00	1.00	34.88	2320
QR15020S	15	711	200	71.69	123880	39.00	16.50	77.00	28.00	71.19	19.00	1.00	33.81	2570
QR20020S	20	877	200	88.40	152755	39.00	16.50	77.00	28.00	71.19	19.00	1.00	33.81	2620

Notice: Drawings and photos are general representations. Actual configurations and color schemes may vary.



QUINCY QR-25 - DUPLEX, TANK-MOUNTED UNITS

Model No.	HP	RPM	Tank Size (gal.)	CFM @80 PSIG	CIM @80 PSIG	Dimensions (Inches)							Approx. Shipping Weight (lbs.)	
						A	B	C	D	E	F	G		H
QR01006D	1	511	60	4.12	7119	28.00	10.00	51.91	17.75	42.81	13.00	.50	28.61	500
QR01508D	1 1/2	730	80	5.60	9677	40.00	11.50	67.50	17.75	41.09	12.38	.75	20.00	550
QR02008D	2	403	80	8.77	15155	40.00	11.50	67.50	17.75	50.55	12.38	.75	25.88	1110
QR02012D	2	403	120	8.77	15155	40.00	13.50	73.00	22.00	55.38	13.66	1.00	27.88	1290
QR03008D	3	626	80	13.82	23881	40.00	11.50	67.50	17.75	50.55	12.38	.75	25.88	1120
QR03012D	3	626	120	13.82	23881	40.00	14.00	73.00	22.00	55.38	15.66	1.00	27.88	1310
QR05012D	5	621	120	22.16	38292	40.00	14.00	73.00	22.00	60.77	15.66	1.00	28.50	1450
QR05020D	5	621	200	22.16	38292	39.00	16.50	77.00	28.00	68.12	19.00	1.00	30.00	1770
QR07512D	7 1/2	786	120	34.21	59115	40.00	13.50	73.00	22.00	61.44	15.66	1.00	28.50	1995
QR07520D	7 1/2	786	200	34.21	59115	39.00	16.50	77.00	28.00	68.77	19.00	1.00	30.19	1920
QR10020D	10	605	200	48.88	84465	42.82	14.59	77.00	31.25	74.38	17.50	1.00	52.50	2970
QR10024D	10	605	240	48.88	84465	42.82	20.59	89.12	31.25	74.38	17.50	1.00	52.50	3040
QR15020D	15	711	200	71.69	123880	42.82	14.59	77.00	31.25	71.45	17.50	1.00	74.69	3575
QR15024D	15	711	240	71.69	123880	42.82	20.60	89.12	31.25	71.45	17.50	1.00	74.69	3645
QR20020D	20	877	200	88.40	152755	42.82	14.59	77.00	31.25	71.45	17.50	1.00	74.69	3680
QR20024D	20	877	240	88.40	152755	42.82	20.60	89.12	31.25	71.45	17.50	1.00	74.69	3750

Notice: Drawings and photos are general representations. Actual configurations and color schemes may vary.

QUINCY CLIMATE CONTROL

AIR TREATMENT SYSTEMS

CLEAN AIR PERFORMANCE

There are nearly 5.5 million contaminating particles in every cubic foot of ambient air. This means that while your air compressor is in operation, it is drawing in billions of contaminants every hour. These different contaminant forms (solids, liquids, and gases/vapors) can dramatically reduce the performance of your compressed air system – which is the heart of climate control.

Quincy's Air Treatment Systems ensure clean, quality air and eliminate contaminants before they reach your HVAC controls. This minimizes downtime and maintenance, allowing your system to perform at full capacity.

CUSTOM ENGINEERED

Every air treatment component contributes to the efficiency and effectiveness of your climate control system. Customized to meet your system demands, Quincy Air Treatment components are engineered specifically for climate control.

QUINCY REFRIGERATED AIR DRYER OPTION

Quincy refrigerated air dryers protect pneumatic controls from the damaging effects of wet, dirty compressed air by removing water from the compressed air before it can cause rust, freezing pipes and wear on HVAC controls. Quincy refrigerated air dryers provide a stable dewpoint

ON-DEMAND RELIABILITY

At Quincy, we understand that the demands of your climate control system can be strenuous. That's why we've extended our standard two year warranty to include every component of our Air Treatment System. Every component counts and now you can count on every component.

TOTAL CONFIDENCE

Quincy's complete line of air treatment products have been engineered to function collectively as one system. Reinforced with Quincy's commitment to quality and service, Quincy Air Treatment Systems are your one source for climate control confidence.





Quincy Climate Control System with optional dryer and duplex control panel

PRESSURE REDUCING VALVE OPTION

Quincy's recommended PRV station reduces line pressure to as low as 5 PSIG, minimizes oil carryover and filters particulate matter to 0.01 micron. Includes: self-relieving

regulator, coalescing filter, change indicator, manual drain and discharge pressure gauge.

QRD OIL-LESS COMPRESSOR

Designed specifically for "clean air" applications, the Quincy QRD reciprocating compressor operates without a single drop of oil. Available in simplex/duplex with tank-mount or

base-mount units, the Quincy QRD will meet your "clean air" system requirements.

QUINCY CLIMATE CONTROL



STANDARD QUALITY FEATURES

- Beveled gap rings
- Factory-certified maximum oil carryover of 2 ppm
- State-of-the-art computer-aided design assures high efficiency, providing more cfm per kilowatt input
- Heavy-duty cast iron construction for holding precise tolerances, and for long, trouble-free service life
- Cast iron cylinders feature deep cooling fins to dissipate heat quickly and evenly, adding to long cylinder life and high efficiency performance
- One-piece, double-throw, counter-weighted crank-shaft is supported by bearings on both ends for precise alignment, smooth operation, and long life
- Automotive-style, two-piece connecting rods with oil dippers provide easy service and splash lubrication to the wrist pin area (QC Series), or pressure lubrication (QR Series)
- Unique valve plate design and replaceable stainless steel valves improve volumetric efficiency and supply more cfm per horsepower
- Non-asbestos gaskets
- High efficiency intercooler for interstage cooling improves compressor efficiency (5 hp and above QC Series, 2 hp and above QR Series)
- Balanced flywheel for smooth operation
- Basic compressor and motor are mounted on a slotted bedplate to simplify motor and belt adjustments
- Metal beltguards meet OSHA standards
- Factory-filled with Quin-Cip® oil
- Intake filter/silencer
- ASME code & CRN registered air receivers

AVAILABLE OPTIONS:

- Electronic Duplex Control Panel with IEC magnetic starters, auto-alternation with lead/lag, Lead Select/Auto switch, Test-Off-Run switches, hour meters, control voltage transformer, (200V and above), operating lights and remote monitoring capabilities in NEMA1, single power source enclosure
- Refrigerated air dryers
- PRV stations
- Automatic tank drains
- Magnetic starters
- Combination and non-combination duplex panels with two power source supply
- ASME-code and National Board-approved receiver tanks for remote installation
- Isolation pads



©2014 Quincy Compressor. All rights reserved. Litho in U.S.A. (QCCS-003 02/14)